



Inductive power clamp sensor

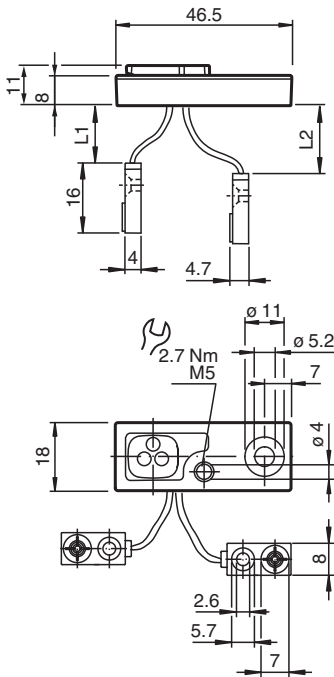
NBN2-F58xxA3-XXXS18-Y315199

- Technical data are only valid if amplifier unit is connected
- 2 mm non-flush
- For use in direct- and alternating-field welding systems
- Completely halogen and silicon free

Satellite unit



Dimensions



Technical Data

General specifications		
Rated operating distance	s_n	2 mm
Installation		non-flush
Functional safety related parameters		
MTTF _d		6460 a
Compliance with standards and directives		
Standard conformity		
Standards		EN IEC 60947-5-2
Approvals and certificates		
UL approval		cULus Listed, General Purpose
Ambient conditions		

Release date: 2024-05-28 Date of issue: 2024-06-05 Filename: 315199_eng.pdf

Refer to "General Notes Relating to Pepperl+Fuchs Product Information".

Pepperl+Fuchs Group
www.pepperl-fuchs.com

USA: +1 330 486 0001
fa-info@us.pepperl-fuchs.com

Germany: +49 621 776 1111
fa-info@de.pepperl-fuchs.com

Singapore: +65 6779 9091
fa-info@sg.pepperl-fuchs.com

PEPPERL+FUCHS

Technical Data

Ambient temperature	0 ... 50 °C (32 ... 122 °F)
Storage temperature	-25 ... 70 °C (-13 ... 158 °F)
Mechanical specifications	
Connection type	Spring contacts, 3 pins flexible leads PUR (halogen-free) L1 = 100 mm ± 5 L2 = 220 mm ± 5
Information for connection	satellite 1: indication via yellow LED on amplifier unit satellite 2: indication via red LED on amplifier unit
Housing material	PA 6 / Diecast zinc
Degree of protection	IP65
Dimensions	
Height	8 mm
Width	18 mm
Length	47 mm
Note	only for use with amplifier unit of NBxx-F58... family